



Product designation				Power contactor
Product type designation				DPBF09
<b>Contact characteristics</b>				
Number of poles	Nr.			4
Operational frequency	min	Hz	25	
	max	Hz	400	
<b>Mechanical features</b>				
Operating position	normal	Vertical plan		
	allowable	±30°		
Fixing				Screw / DIN rail 35mm
Weight	g	350		
<b>Operations</b>				
Mechanical life	cycles	20000000		
Electrical life	cycles	2000000		
<b>Safety related data</b>				
Performance level B10d according to EN/ISO 13489-1	rated load	cycles	2000000	
	mechanical load	cycles	20000000	
Mirror contacts according to IEC/EN 609474-4-1				yes
EMC compatibility				yes
<b>AC coil operating</b>				
Rated AC voltage at 60Hz	V	230		
AC operating voltage of 60Hz coil powered at 60Hz	pick-up	min	%Us	80
		max	%Us	110
	drop-out	min	%Us	20
		max	%Us	55
AC average coil consumption at 20°C of 60Hz coil powered at 60Hz	in-rush	VA	75	
	holding	VA	9	
Dissipation at holding =20°C 50Hz	W	2.5		
<b>Max cycles frequency</b>				
Mechanical operation	cycles/h	3600		
<b>Operating times</b>				
Average time for Us control in AC	Closing NO	min	ms	8

Opening NO	max	ms	24
	min	ms	10
Closing NC	max	ms	20
	min	ms	14
Opening NC	max	ms	28
	min	ms	7
	max	ms	18

**UL technical data**

Full-load current (FLA) for three-phase AC motor

at 600V    A    20

Yielded mechanical performance

for single-phase AC motor

110/120V    HP    1.5  
230V    HP    3

for three-phase AC motor

200/208V    HP    5  
220/230V    HP    5  
460/480V    HP    10  
575/600V    HP    15

General USE

Contactor

AC current    A    25

Short-circuit protection fuse, 600V

Standard fault

Short circuit current    kA    5  
Fuse rating    A    70  
Fuse class    RK5

**Ambient conditions**

Temperature

Operating temperature

min    °C    -50  
max    °C    70

Storage temperature

min    °C    -60  
max    °C    80

Max altitude

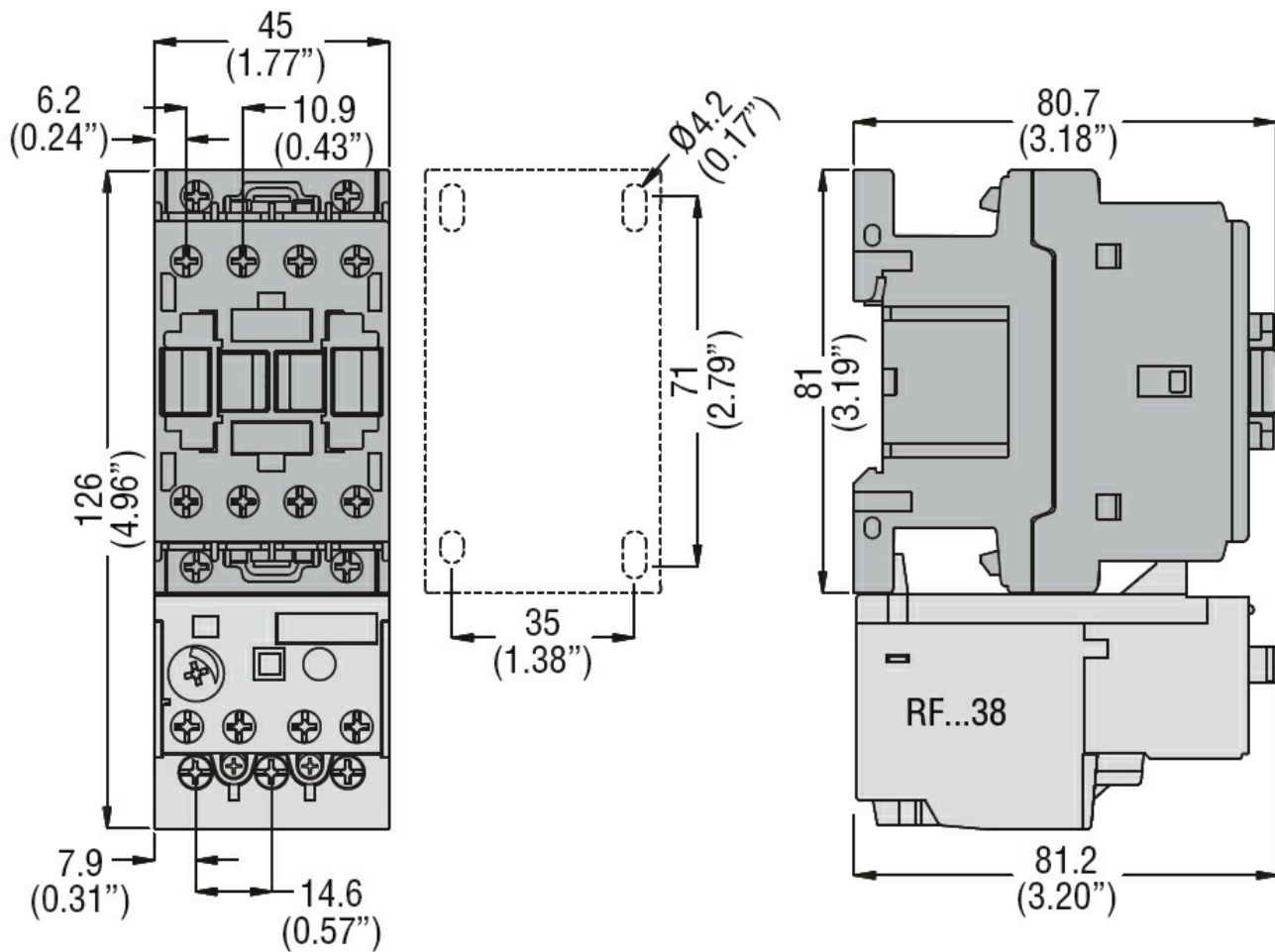
m    3000

**Resistance & Protection**

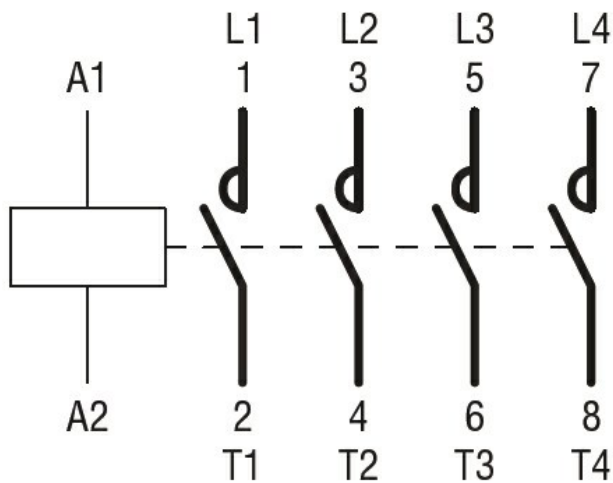
Pollution degree

3

**Dimensions**



### Wiring diagrams



### Certifications and compliance

#### Compliance

CSA C22.2 n° 60947-1

CSA C22.2 n° 60947-4-14

UL 60947-1

UL 60947-4-1

#### Certificates

cULus

### ETIM classification

ETIM 8.0

EC000066 -  
Power contactor,  
AC switching